



SABI S.r.l

Via Sabin 6, 20019 Settimo Milanese Milano - Italy

Ph: +39 - 02 33514816

Web www.sabipompe.com

Email: marketing@sabipompe.com

Sabi Triplex Pump - Series STP

Reciprocating H.P. Plunger pump



High pressure reciprocating triplex power pump for process heavy duty applications.

SABI pumps are manufactured taking into consideration different sectors of employ, at medium and high pressure. A wide range of materials are used for the wetted parts, with a particular selection for each type of application. Among the others we use: AISI 316, Titanium alloy, CrNiMo, super austenitics and many more.

The main fields of application are:

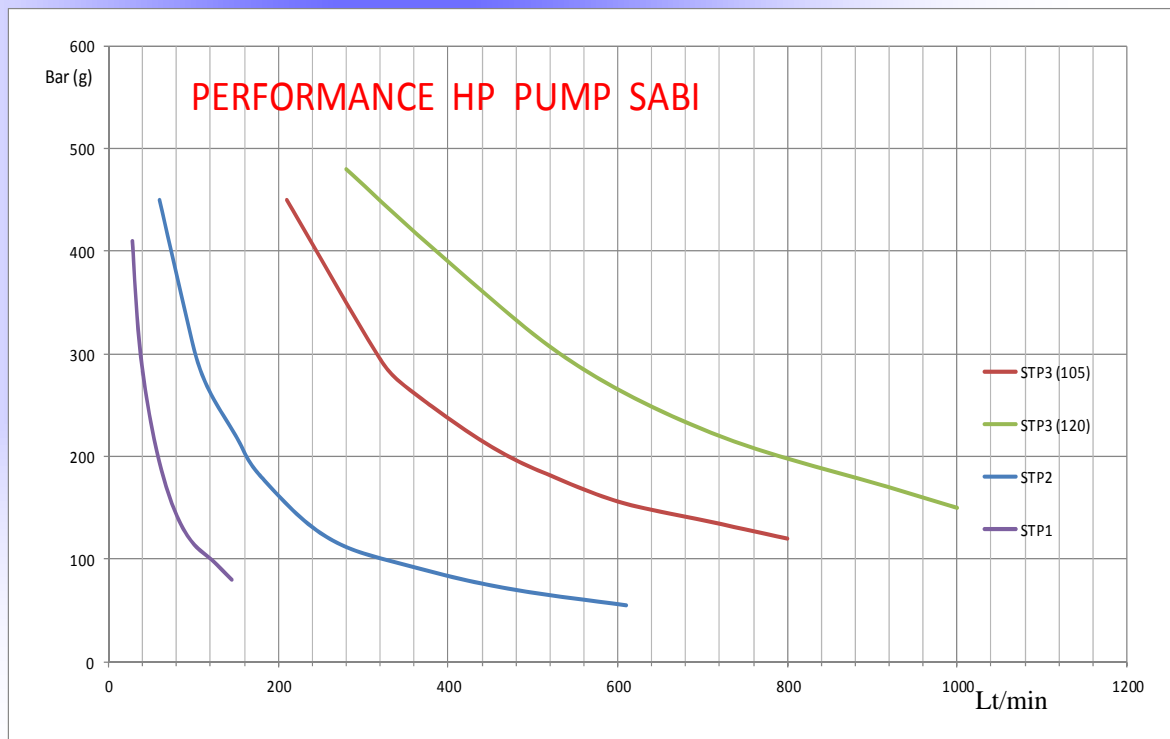
- petroleum and natural gas industry
- spunlace industry
- cosmetic industry
- textile and paper industry
- energy industry

Complete systems.

Accessories:

- Safety valves
- Check valves
- Pulsation Dampeners
- Resonator
- Electric motors and control panels
- Local control pushbuttons
- Calibration-pot
- Inverter

We manufacture tailormade pumps for special needs.





SABI S.r.l

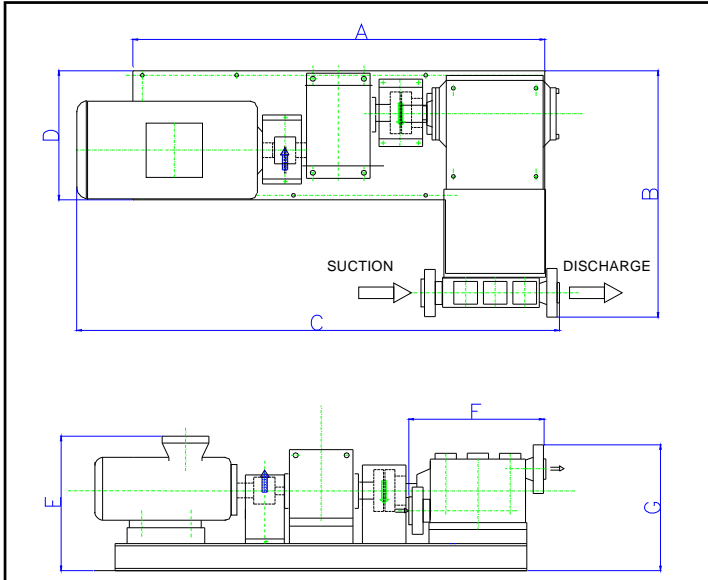
Via Sabin 6, 20019 Settimo Milanese Milano - Italy

Ph: +39 - 02 33514816

Web www.sabipompe.com

Email: marketing@sabipompe.com

LAY-OUT DRAWING



STP 2 Unit total weight approx. 1100 Kg

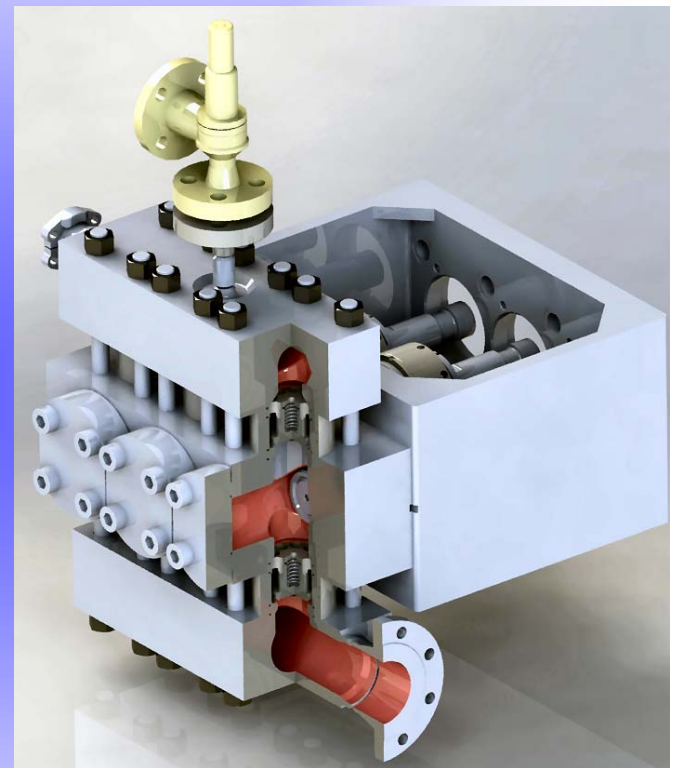
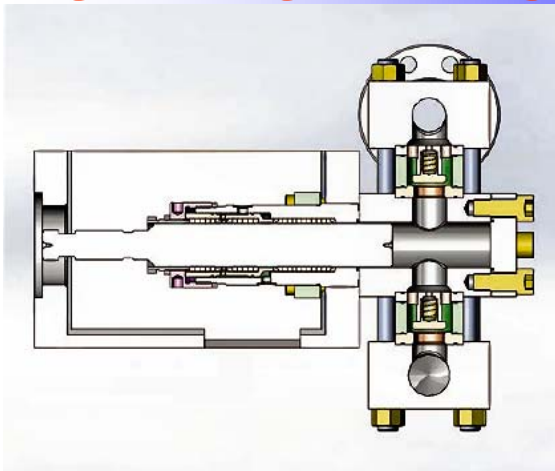
A	B	C	D	E	F	G
1.745	1.088	2.095	550	720	635	560

STP 3 Unit total weight approx. 3100 Kg

A	B	C	D	E	F	G
2.800	1.350	3.300	720	1.070	800	700

Dimensions are indicative and definite in mm

PUMPING HEADS

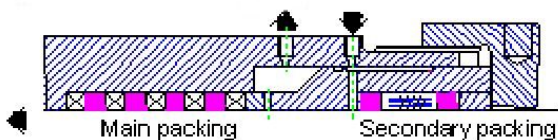


Typical arrangement for high pressure.

Cylinder and Packing

The dismantling operation is possible without remove any other part.

Double packing with double regulation and flushing suitable fluid



Valves are the heart of the pump and are plug type with a spring for a perfect sealing and best hydraulic efficiency.

Plunger materials, AISI 316L, with high thickness chrome or ceramic coat and others.

Typical sealing type

We manufactured Double or Triple packing with or without intermediate fluid, with special materials for critical fluids, antipollution seal system.